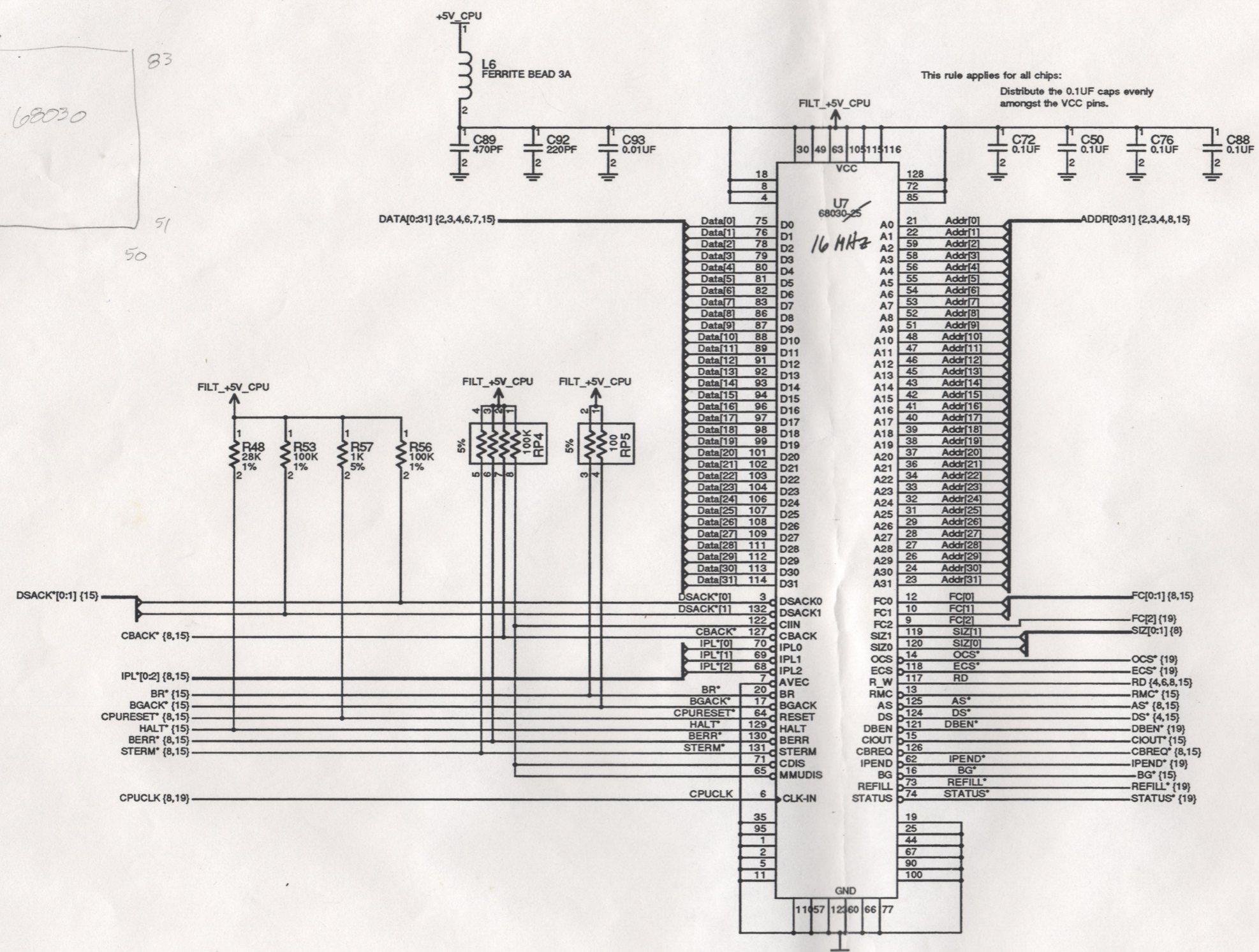
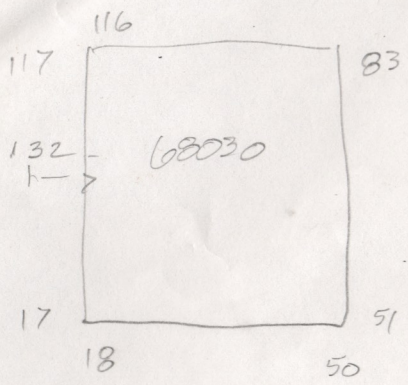


REV	ZONE	ECN	DESCRIPTION OF REVISION	CK APPD DATE	ENG APPD DATE



This rule applies for all chips:  
Distribute the 0.1uF caps evenly amongst the VCC pins.

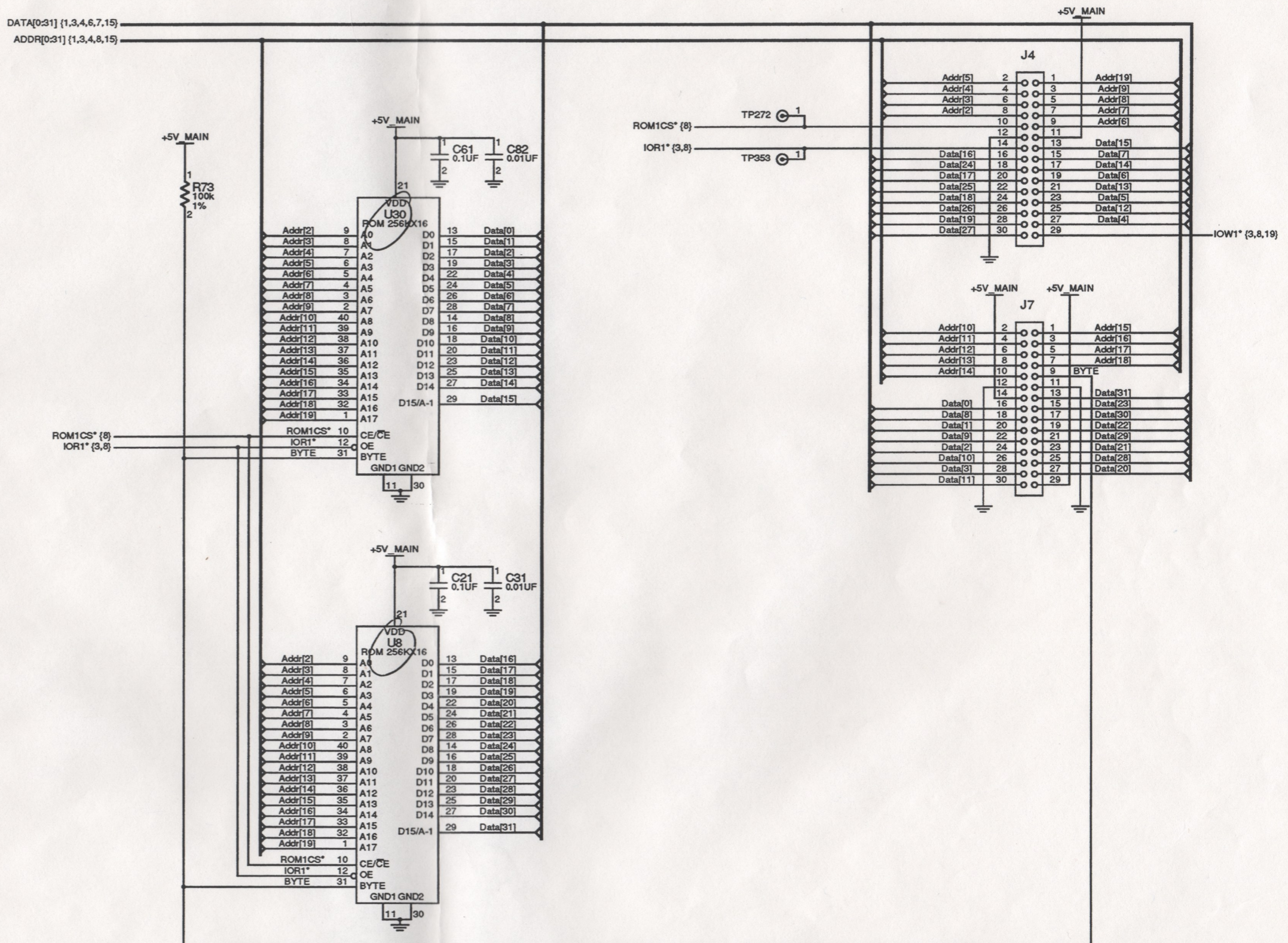
E DENSITY CONNECTOR  
C-D GEMINI NUBUS SLOT  
B CD  
A FREE  
9 ADDRESS SPACE  
NON-SPEC SLOT

---

DOOR HANDLER  
SERIAL SOURCE  
CODE  
CT

DIMENSIONS ARE IN MILLIMETERS		METRIC		Apple Computer, Inc	
X.X <sub>2</sub>	_____	DRAFTER	DESIGN CR	NOTICE OF PROPRIETARY PROPERTY	
X.XX <sub>2</sub>	_____	ENG APPD	MFG APPD	THE INFORMATION CONTAINED HEREIN IS THE PROPRIETARY PROPERTY OF APPLE COMPUTER, INC. THE POSSESSOR AGREES TO THE FOLLOWING	
X.XXX <sub>2</sub>	_____	QA APPD	DESIGNER	(i) TO MAINTAIN THE DOCUMENT IN CONFIDENCE	
ANGLES <sub>2</sub>	_____	RELEASE	SCALE	(ii) NOT TO REPRODUCE OR COPY IT	
DO NOT SCALE DRAWINGS				(iii) NOT TO REVEAL OR PUBLISH IT IN WHOLE OR PART	
THIRD ANGLE PROJECTION		MATERIAL/FINISH NOTED AS APPLICABLE		TITLE	
CAD GENERATED		SIZE D		METROPOLIS_1118 - EVT3.0 - V1	
		DRAWING NUMBER AP1559-01		REV.	
		SHT 1 OF 20			

U30, U8 not stuffed



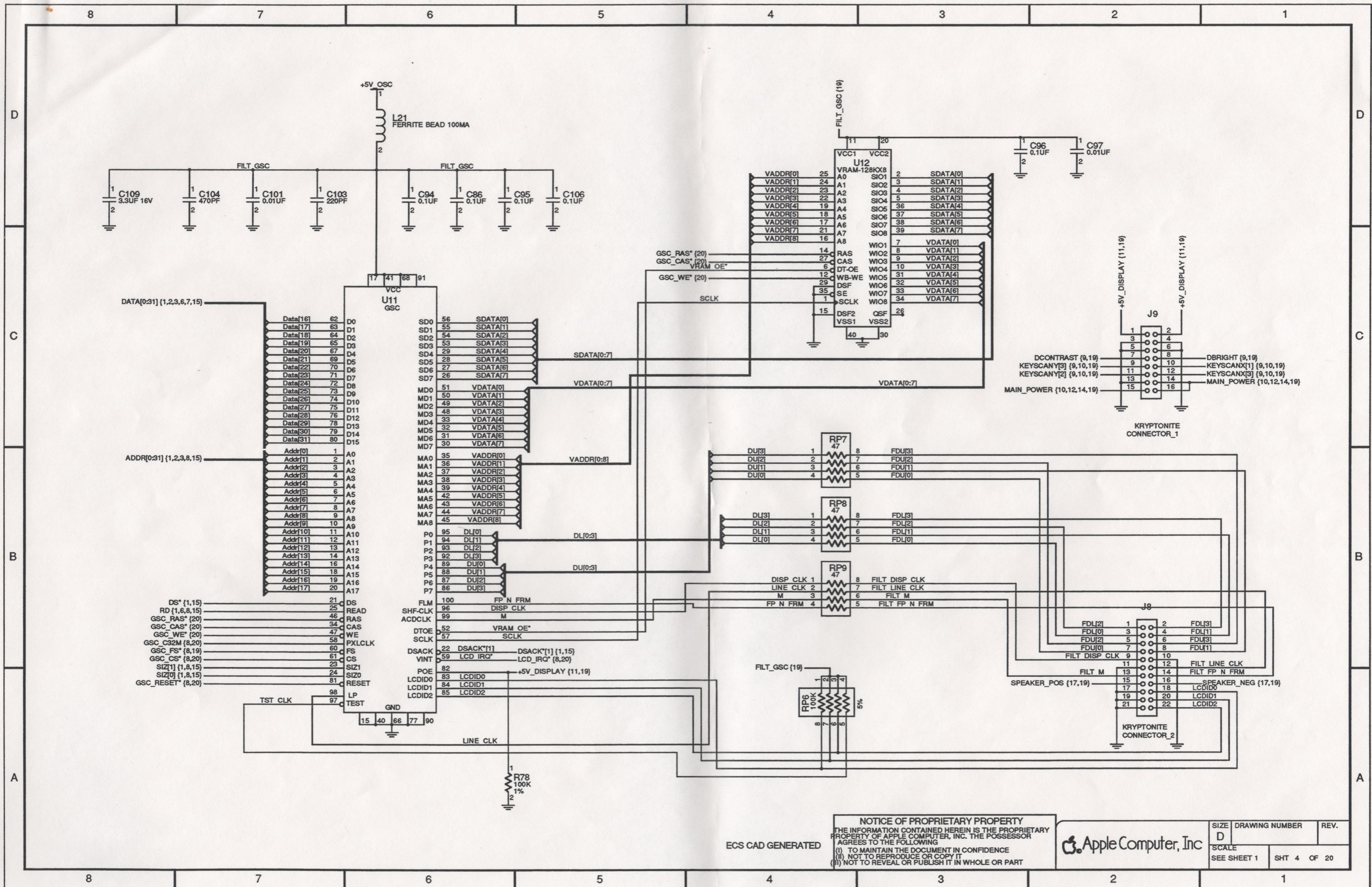
ECS CAD GENERATED

NOTICE OF PROPRIETARY PROPERTY  
 THE INFORMATION CONTAINED HEREIN IS THE PROPRIETARY  
 PROPERTY OF APPLE COMPUTER, INC. THE POSSESSOR  
 AGREES TO THE FOLLOWING  
 (I) TO MAINTAIN THE DOCUMENT IN CONFIDENCE  
 (II) NOT TO REPRODUCE OR COPY IT  
 (III) NOT TO REVEAL OR PUBLISH IT IN WHOLE OR PART



SIZE D	DRAWING NUMBER	REV.
SCALE SEE SHEET 1	SHT 2 OF 20	





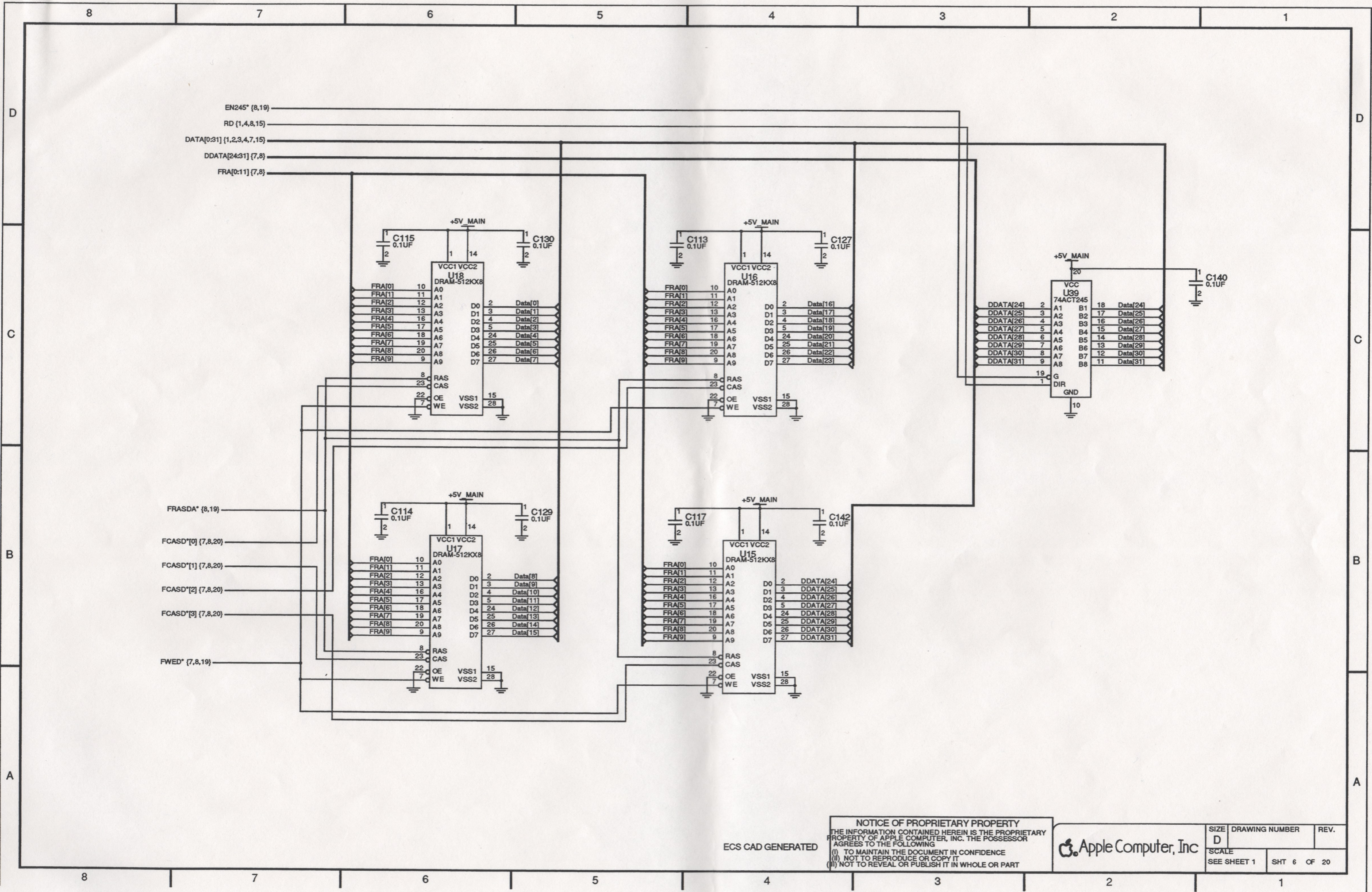
ECS CAD GENERATED

NOTICE OF PROPRIETARY PROPERTY  
 THE INFORMATION CONTAINED HEREIN IS THE PROPRIETARY  
 PROPERTY OF APPLE COMPUTER, INC. THE POSSESSOR  
 AGREES TO THE FOLLOWING  
 (I) TO MAINTAIN THE DOCUMENT IN CONFIDENCE  
 (II) NOT TO REPRODUCE OR COPY IT  
 (III) NOT TO REVEAL OR PUBLISH IT IN WHOLE OR PART



SIZE	DRAWING NUMBER	REV.
D		
SCALE	SEE SHEET 1 SHT 4 OF 20	





EN245\* (8,19)  
 RD (1,4,8,15)  
 DATA[0:31] (1,2,3,4,7,15)  
 DDATA[24:31] (7,8)  
 FRA[0:11] (7,8)

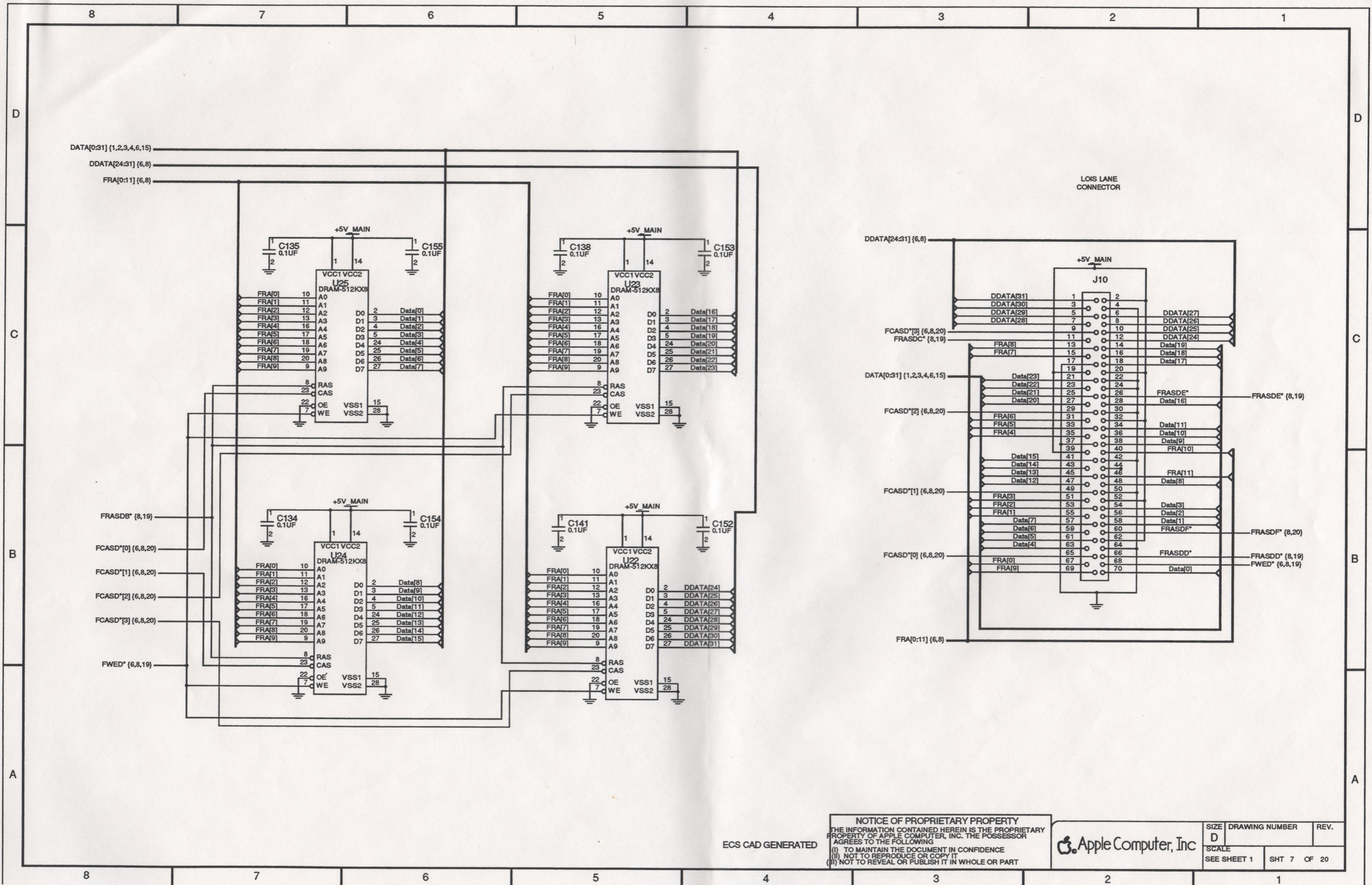
FRASDA\* (8,19)  
 FCASD\*[0] (7,8,20)  
 FCASD\*[1] (7,8,20)  
 FCASD\*[2] (7,8,20)  
 FCASD\*[3] (7,8,20)  
 FWED\* (7,8,19)

ECS CAD GENERATED

NOTICE OF PROPRIETARY PROPERTY  
 THE INFORMATION CONTAINED HEREIN IS THE PROPRIETARY  
 PROPERTY OF APPLE COMPUTER, INC. THE POSSESSOR  
 AGREES TO THE FOLLOWING  
 (I) TO MAINTAIN THE DOCUMENT IN CONFIDENCE  
 (II) NOT TO REPRODUCE OR COPY IT  
 (III) NOT TO REVEAL OR PUBLISH IT IN WHOLE OR PART

Apple Computer, Inc

SIZE D	DRAWING NUMBER	REV.
SCALE SEE SHEET 1	SHT 6 OF 20	

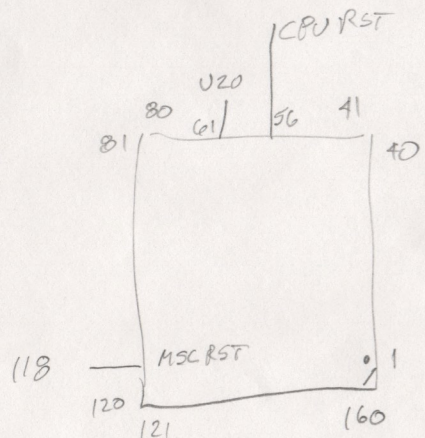
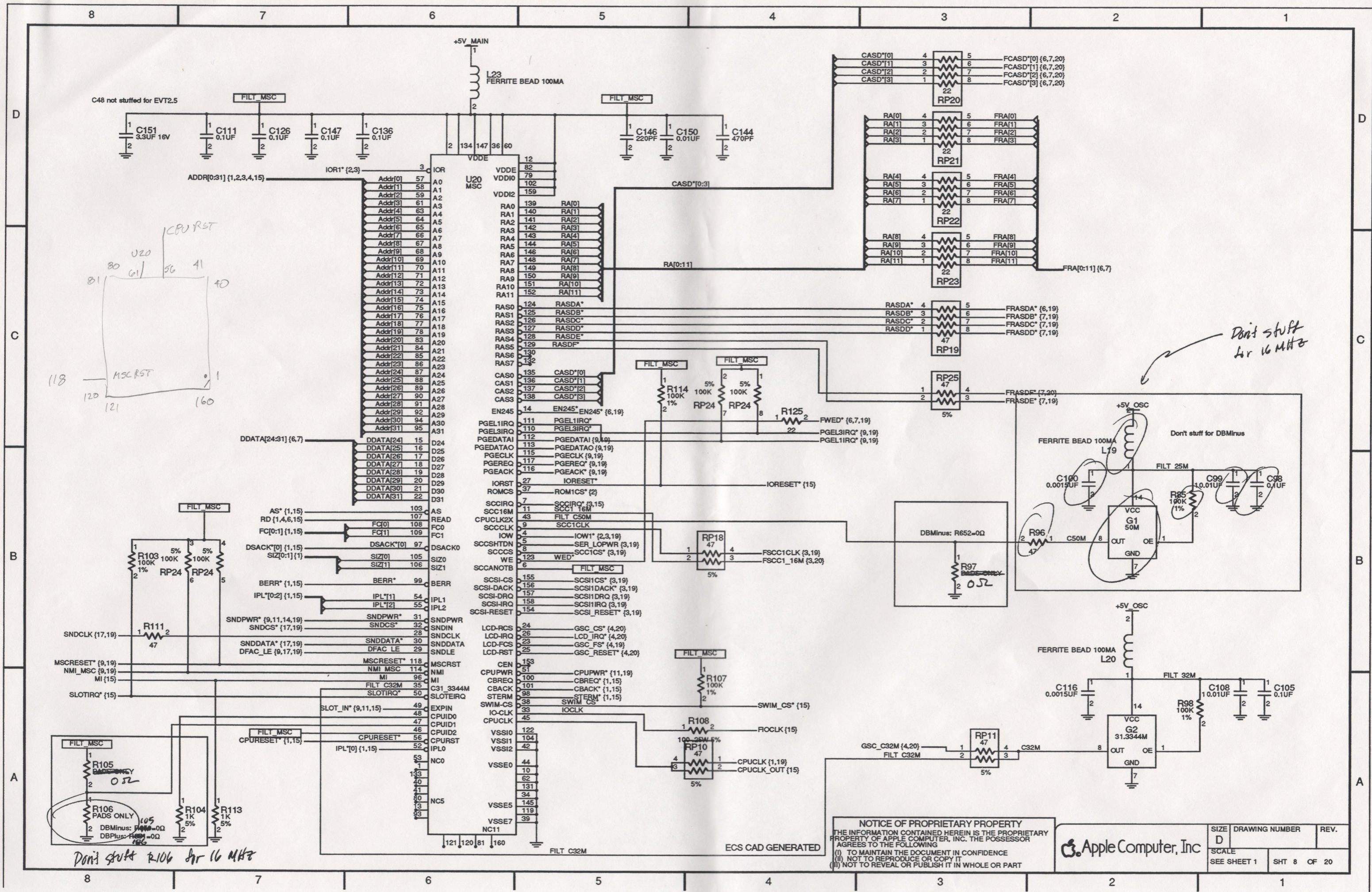


ECS CAD GENERATED

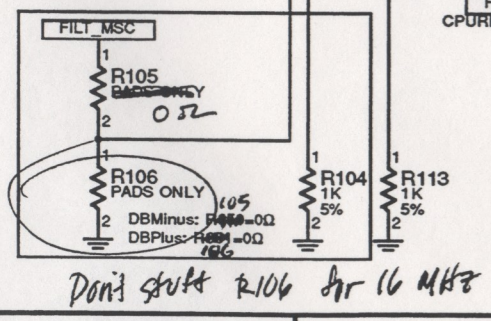
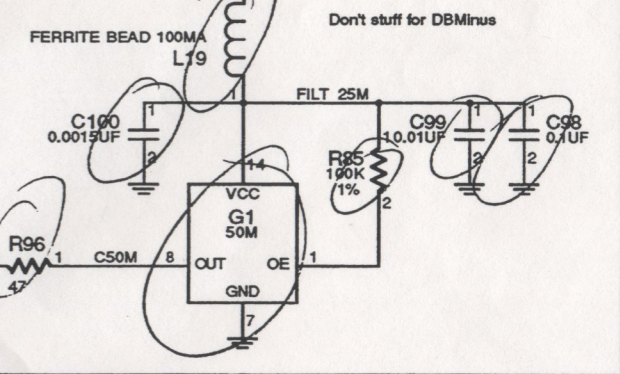
NOTICE OF PROPRIETARY PROPERTY  
 THE INFORMATION CONTAINED HEREIN IS THE PROPRIETARY  
 PROPERTY OF APPLE COMPUTER, INC. THE POSSESSOR  
 AGREES TO THE FOLLOWING  
 (I) TO MAINTAIN THE DOCUMENT IN CONFIDENCE  
 (II) NOT TO REPRODUCE OR COPY IT  
 (III) NOT TO REVEAL OR PUBLISH IT IN WHOLE OR PART



SIZE D	DRAWING NUMBER	REV.
SCALE SEE SHEET 1	SHT 7 OF 20	



Don't stuff for 16 MHz

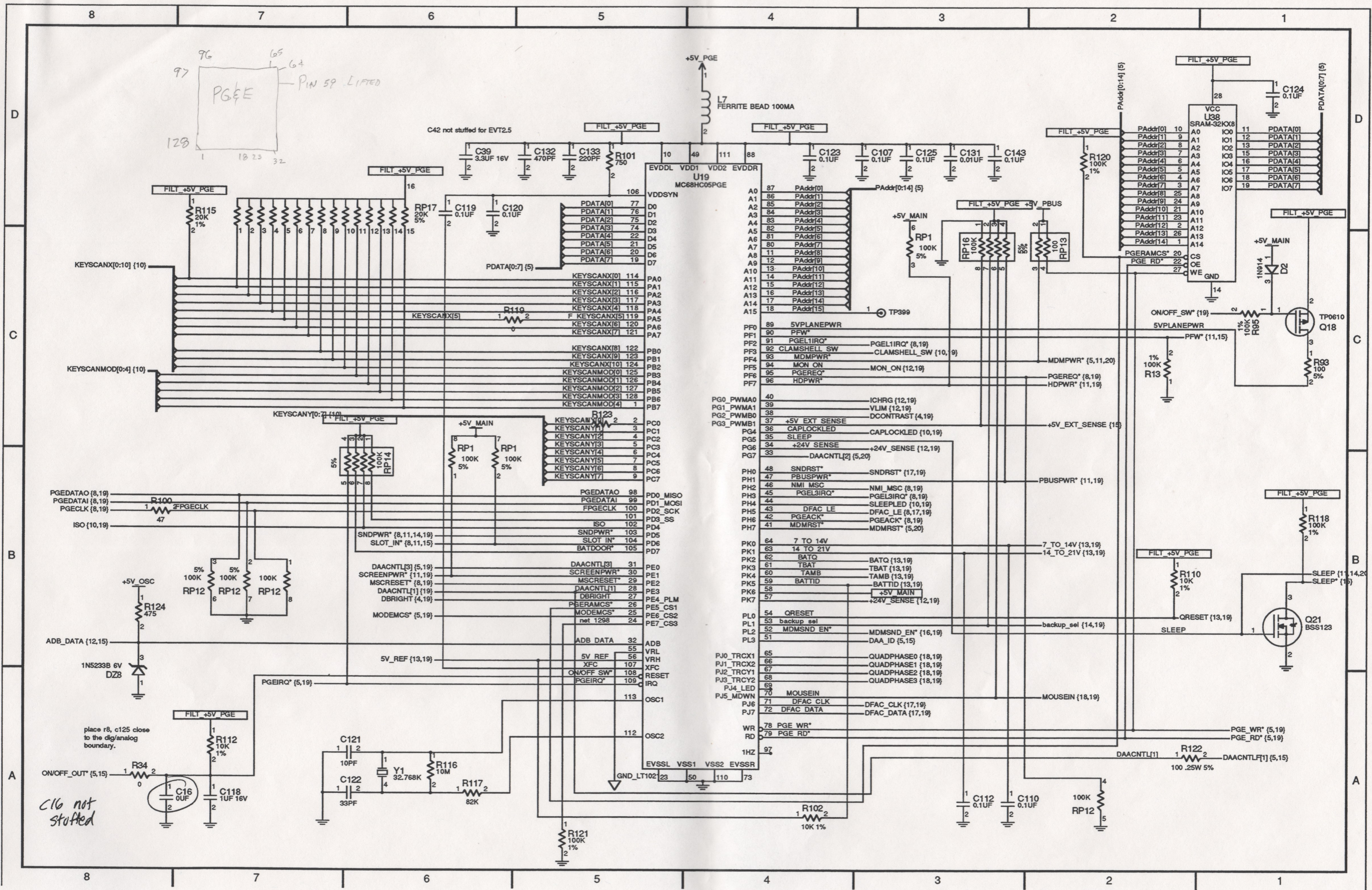


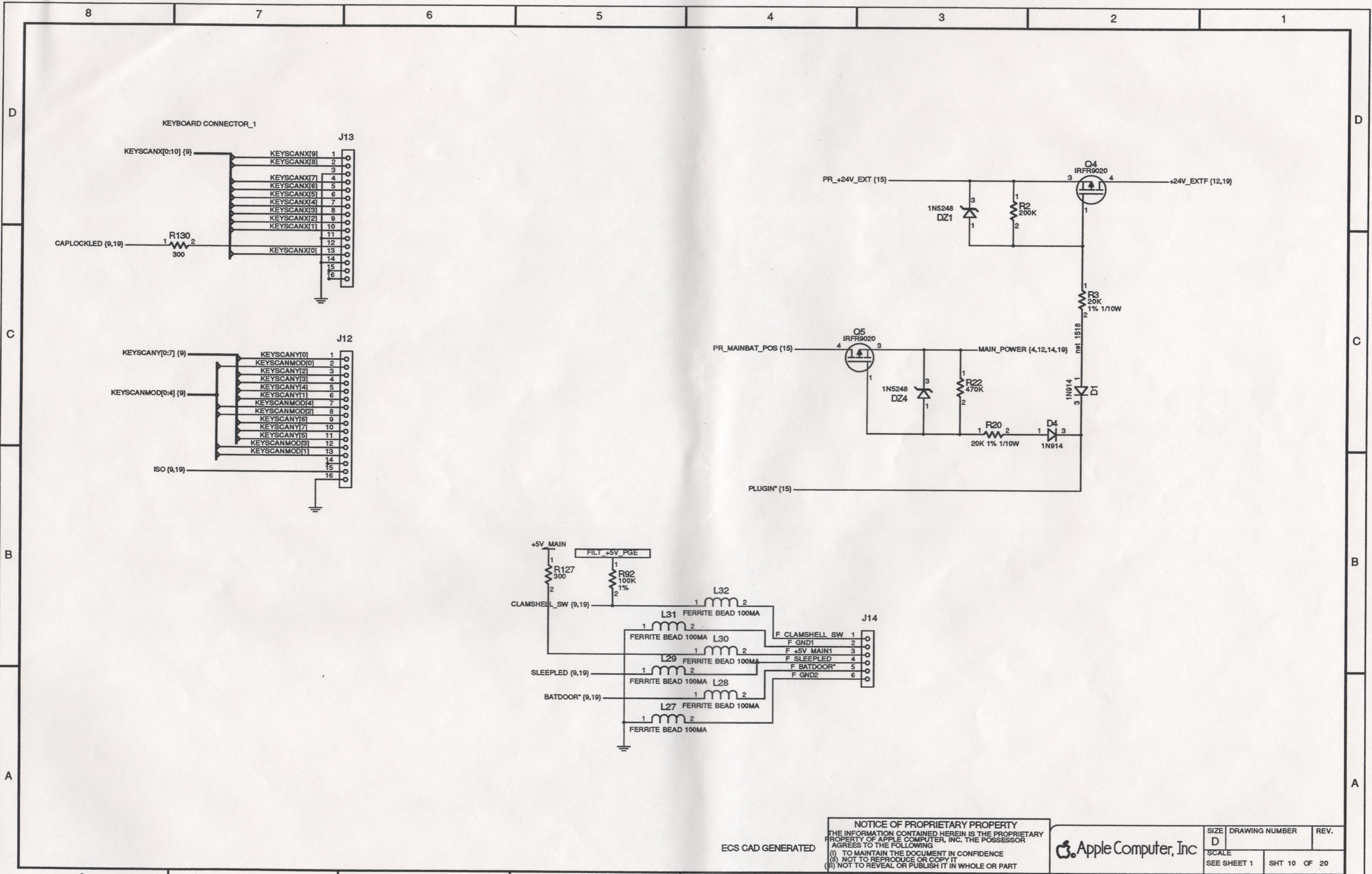
NOTICE OF PROPRIETARY PROPERTY  
 THE INFORMATION CONTAINED HEREIN IS THE PROPRIETARY PROPERTY OF APPLE COMPUTER, INC. THE POSSESSOR AGREES TO THE FOLLOWING:  
 (I) TO MAINTAIN THE DOCUMENT IN CONFIDENCE  
 (II) NOT TO REPRODUCE OR COPY IT  
 (III) NOT TO REVEAL OR PUBLISH IT IN WHOLE OR PART

Apple Computer, Inc

SIZE	DRAWING NUMBER	REV.
D		
SCALE		
SEE SHEET 1	SHT 8 OF 20	

ECS CAD GENERATED





ECS CAD GENERATED

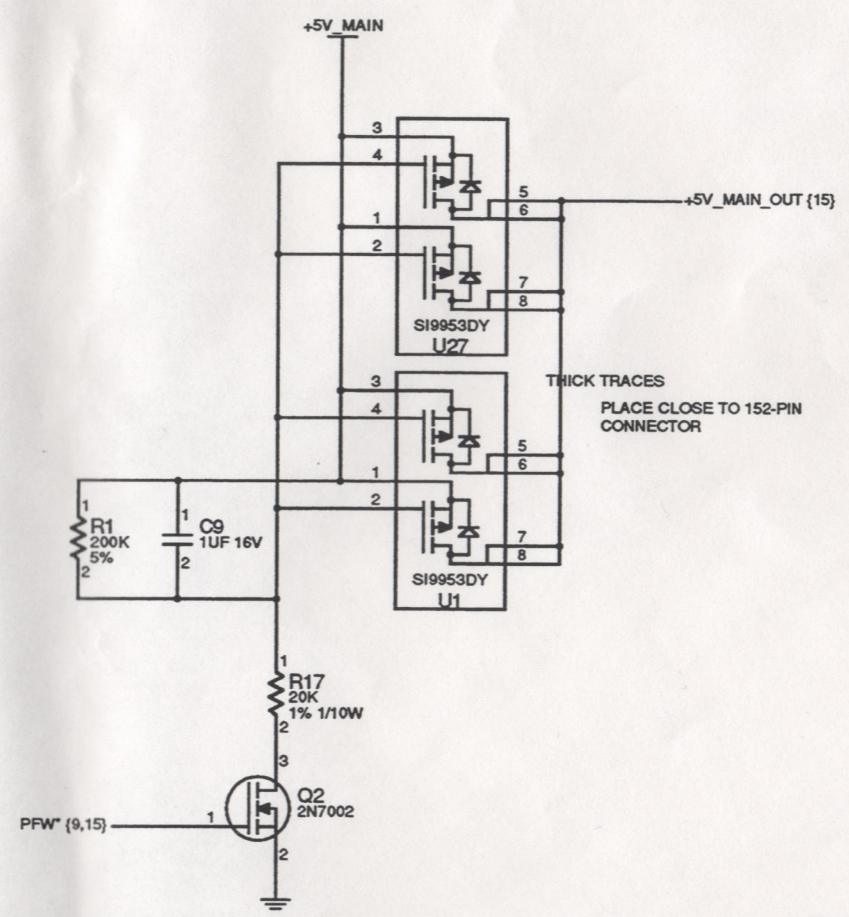
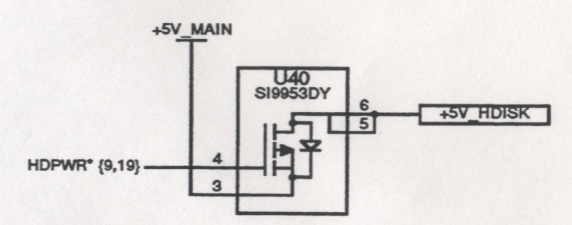
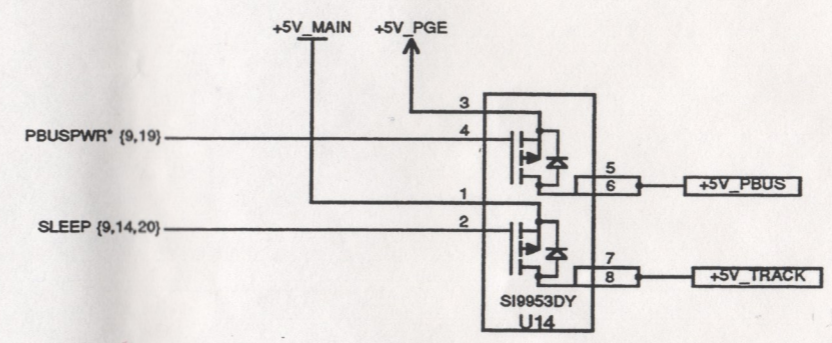
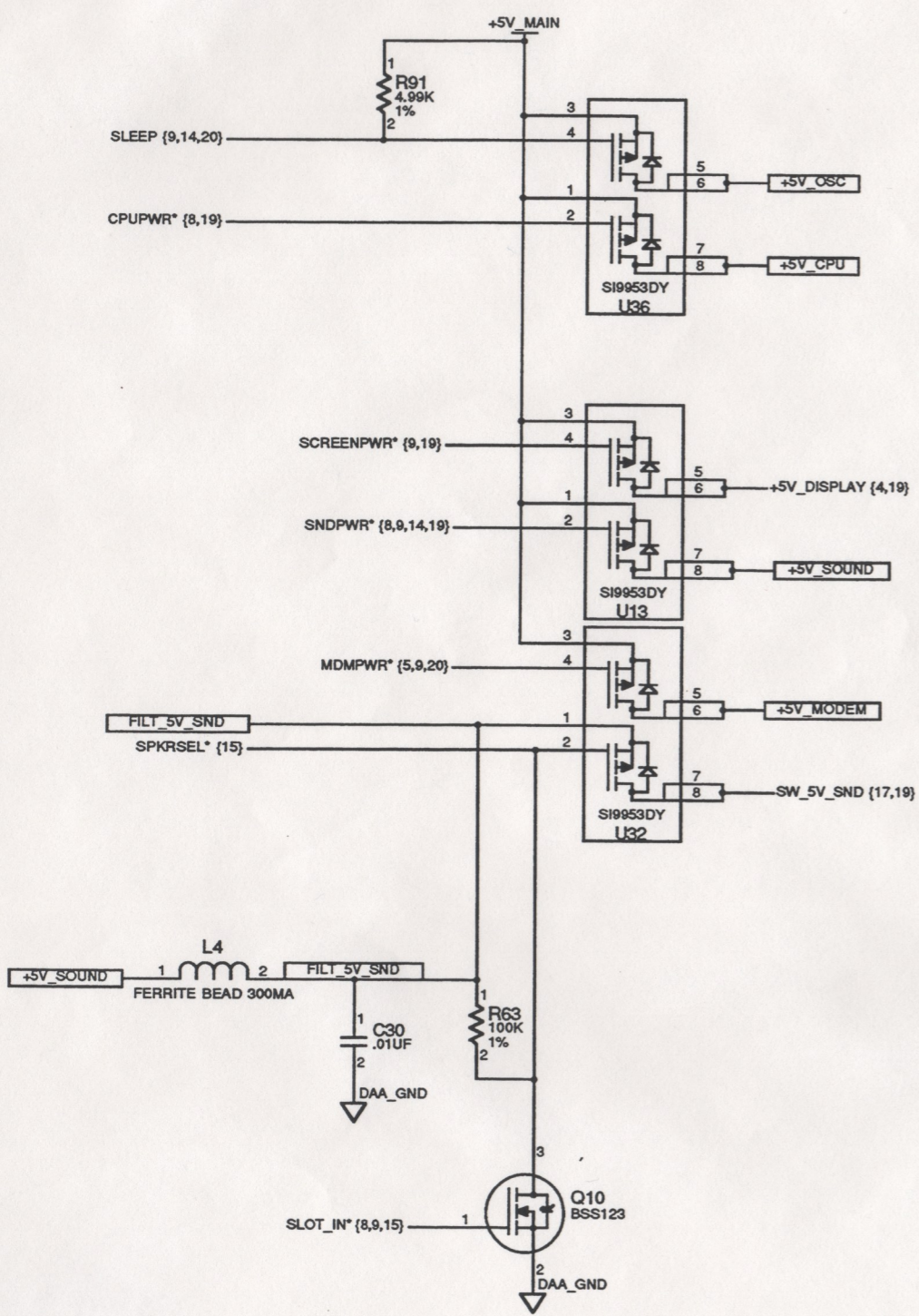
NOTICE OF PROPRIETARY PROPERTY  
 THE INFORMATION CONTAINED HEREIN IS THE PROPRIETARY  
 PROPERTY OF APPLE COMPUTER, INC. THE POSSESSOR  
 AGREES TO THE FOLLOWING  
 (I) TO MAINTAIN THE DOCUMENT IN CONFIDENCE  
 (II) NOT TO REPRODUCE OR COPY IT  
 (III) NOT TO REVEAL OR PUBLISH IT IN WHOLE OR PART



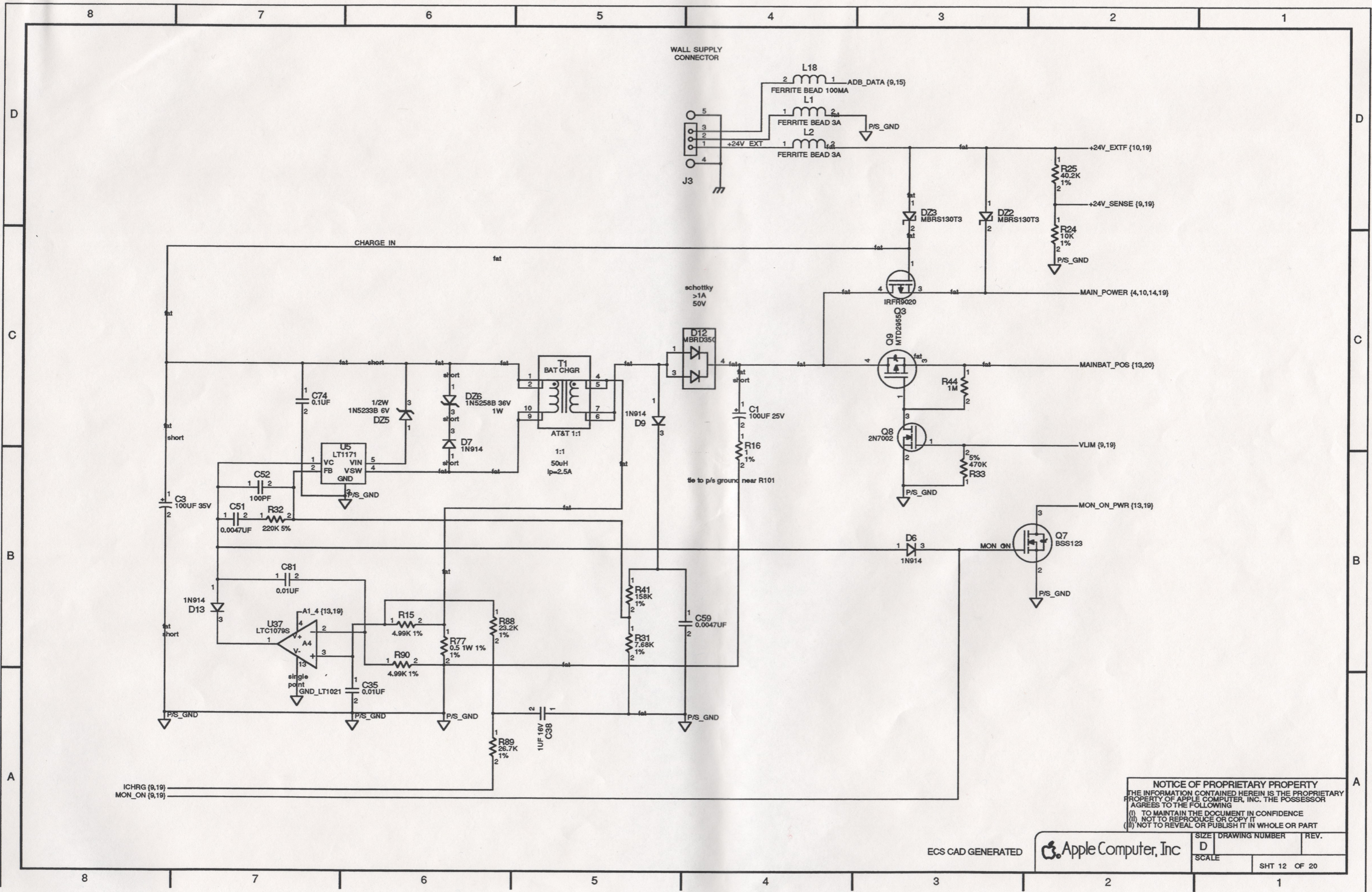
SIZE D	DRAWING NUMBER	REV.
SCALE SEE SHEET 1	SHT 10	OF 20

D  
C  
B  
A

D  
C  
B  
A



NOTICE OF PROPRIETARY PROPERTY  
 THE INFORMATION CONTAINED HEREIN IS THE PROPRIETARY PROPERTY OF APPLE COMPUTER, INC. THE POSSESSOR AGREES TO THE FOLLOWING  
 (I) TO MAINTAIN THE DOCUMENT IN CONFIDENCE  
 (II) NOT TO REPRODUCE OR COPY IT  
 (III) NOT TO REVEAL OR PUBLISH IT IN WHOLE OR PART



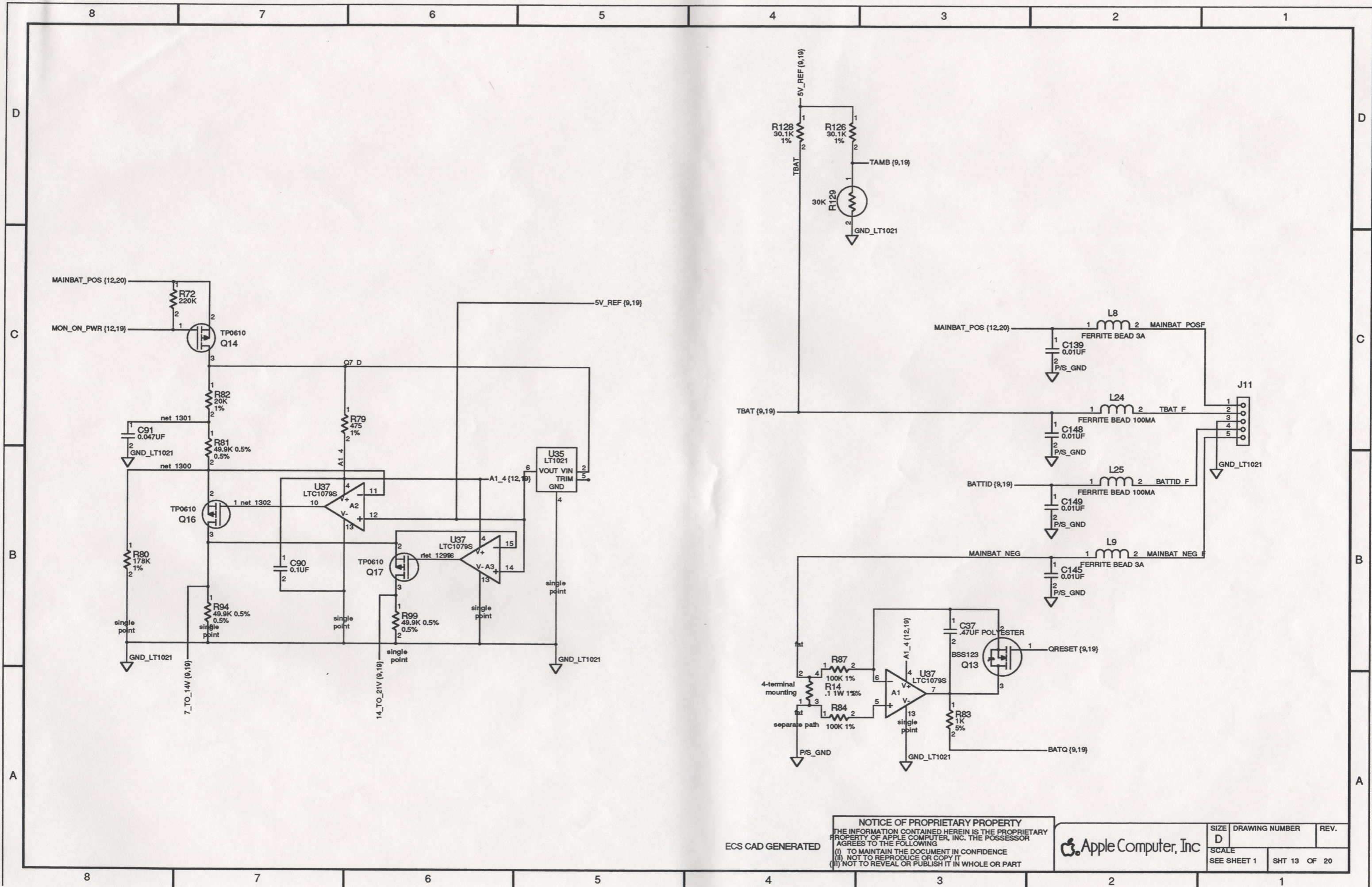
ICHRG (9,19)  
MON\_ON (9,19)

**NOTICE OF PROPRIETARY PROPERTY**  
 THE INFORMATION CONTAINED HEREIN IS THE PROPRIETARY PROPERTY OF APPLE COMPUTER, INC. THE POSSESSOR AGREES TO THE FOLLOWING:  
 (I) TO MAINTAIN THE DOCUMENT IN CONFIDENCE  
 (II) NOT TO REPRODUCE OR COPY IT  
 (III) NOT TO REVEAL OR PUBLISH IT IN WHOLE OR PART

ECS CAD GENERATED

Apple Computer, Inc

SIZE	DRAWING NUMBER	REV.
D		
SCALE	SHT 12 OF 20	

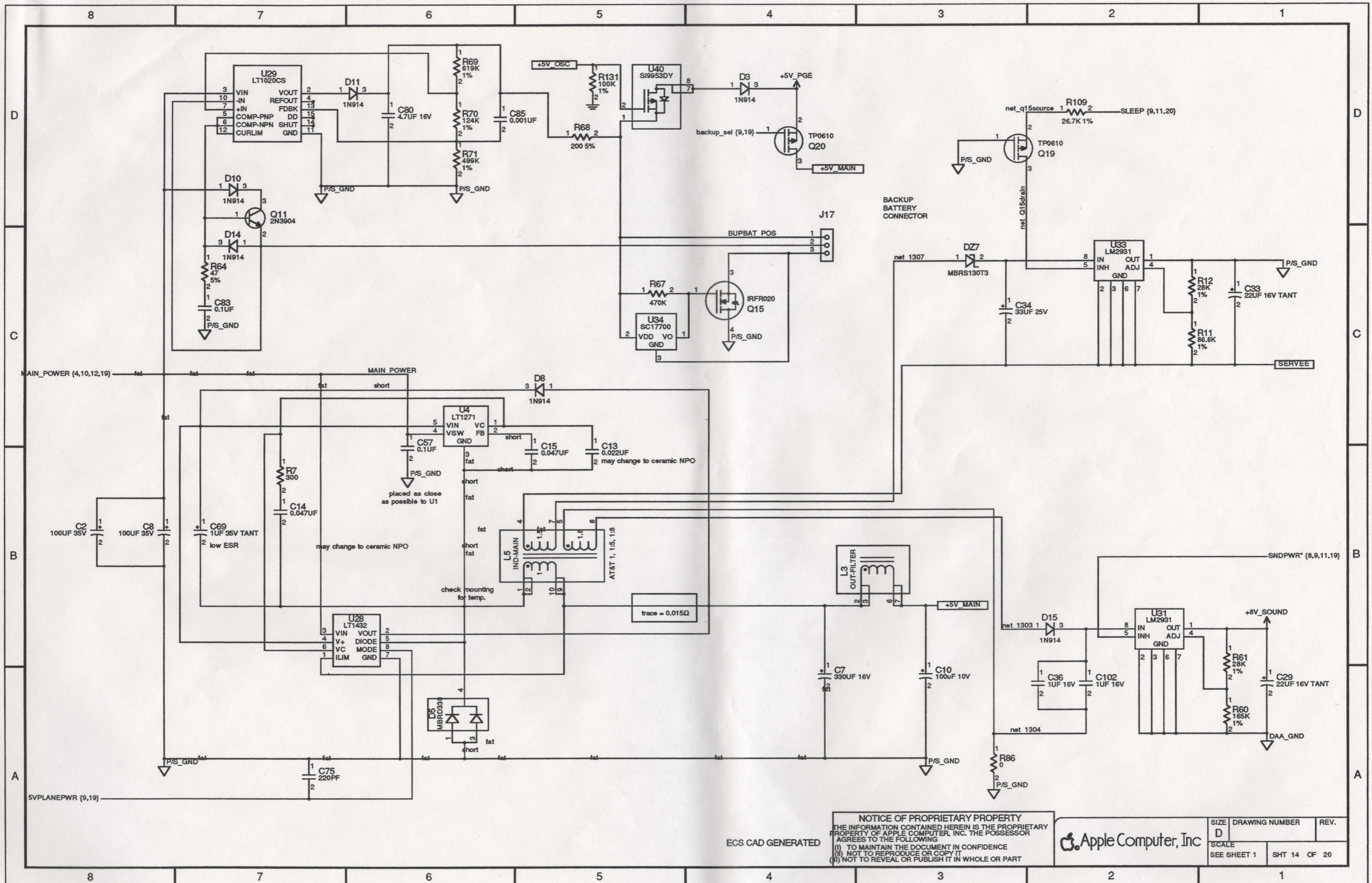


ECS CAD GENERATED

NOTICE OF PROPRIETARY PROPERTY  
 THE INFORMATION CONTAINED HEREIN IS THE PROPRIETARY  
 PROPERTY OF APPLE COMPUTER, INC. THE POSSESSOR  
 AGREES TO THE FOLLOWING  
 (I) TO MAINTAIN THE DOCUMENT IN CONFIDENCE  
 (II) NOT TO REPRODUCE OR COPY IT  
 (III) NOT TO REVEAL OR PUBLISH IT IN WHOLE OR PART

Apple Computer, Inc

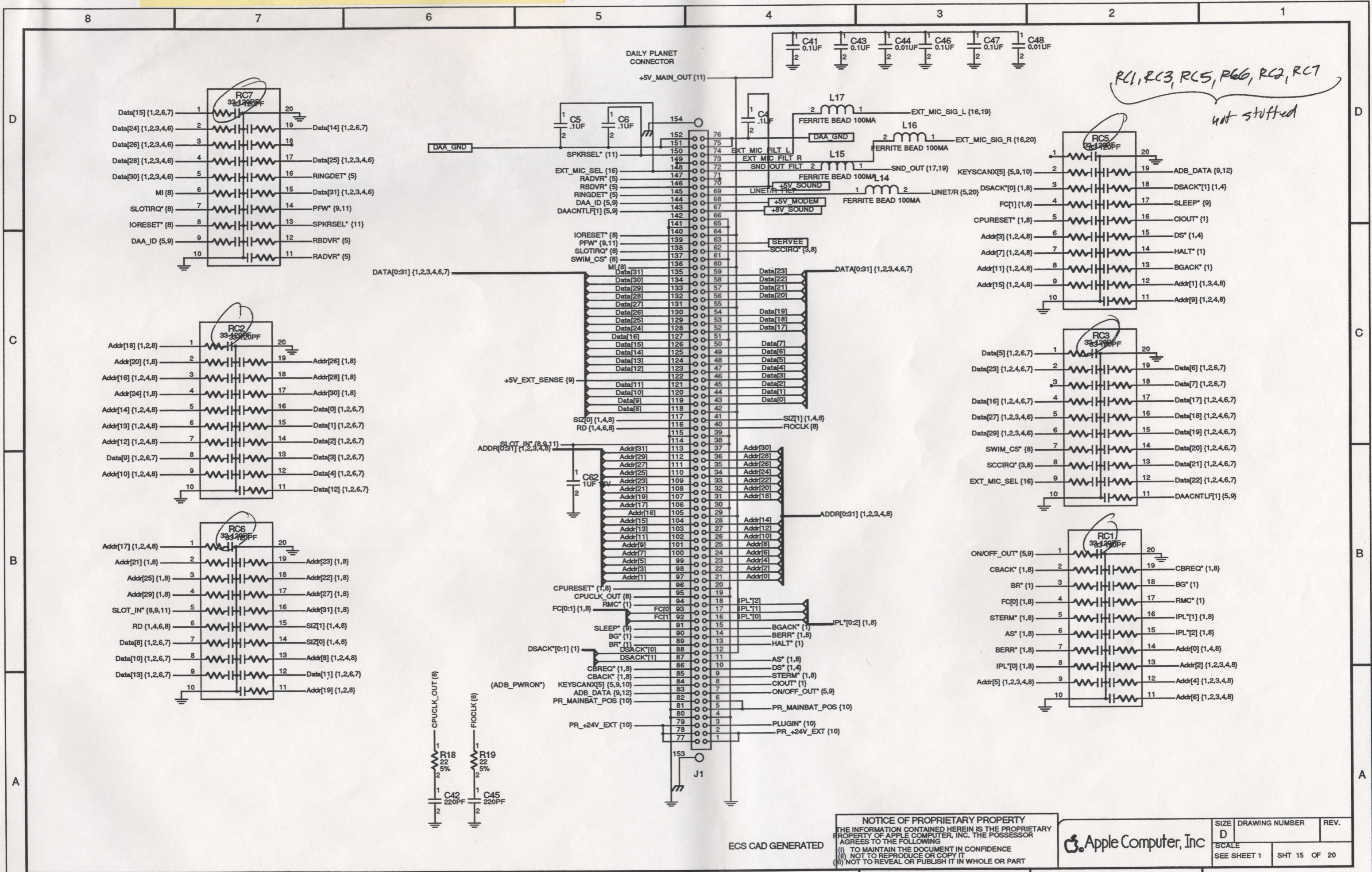
SIZE D	DRAWING NUMBER	REV.
SCALE SEE SHEET 1	SHT 13 OF 20	



ECS CAD GENERATED

NOTICE OF PROPRIETARY PROPERTY  
 THE INFORMATION CONTAINED HEREIN IS THE PROPRIETARY  
 PROPERTY OF APPLE COMPUTER, INC. THE POSSESSOR  
 AGREES TO THE FOLLOWING  
 (I) TO MAINTAIN THE DOCUMENT IN CONFIDENCE  
 (II) NOT TO REPRODUCE OR COPY IT  
 (III) NOT TO REVEAL OR PUBLISH IT IN WHOLE OR PART

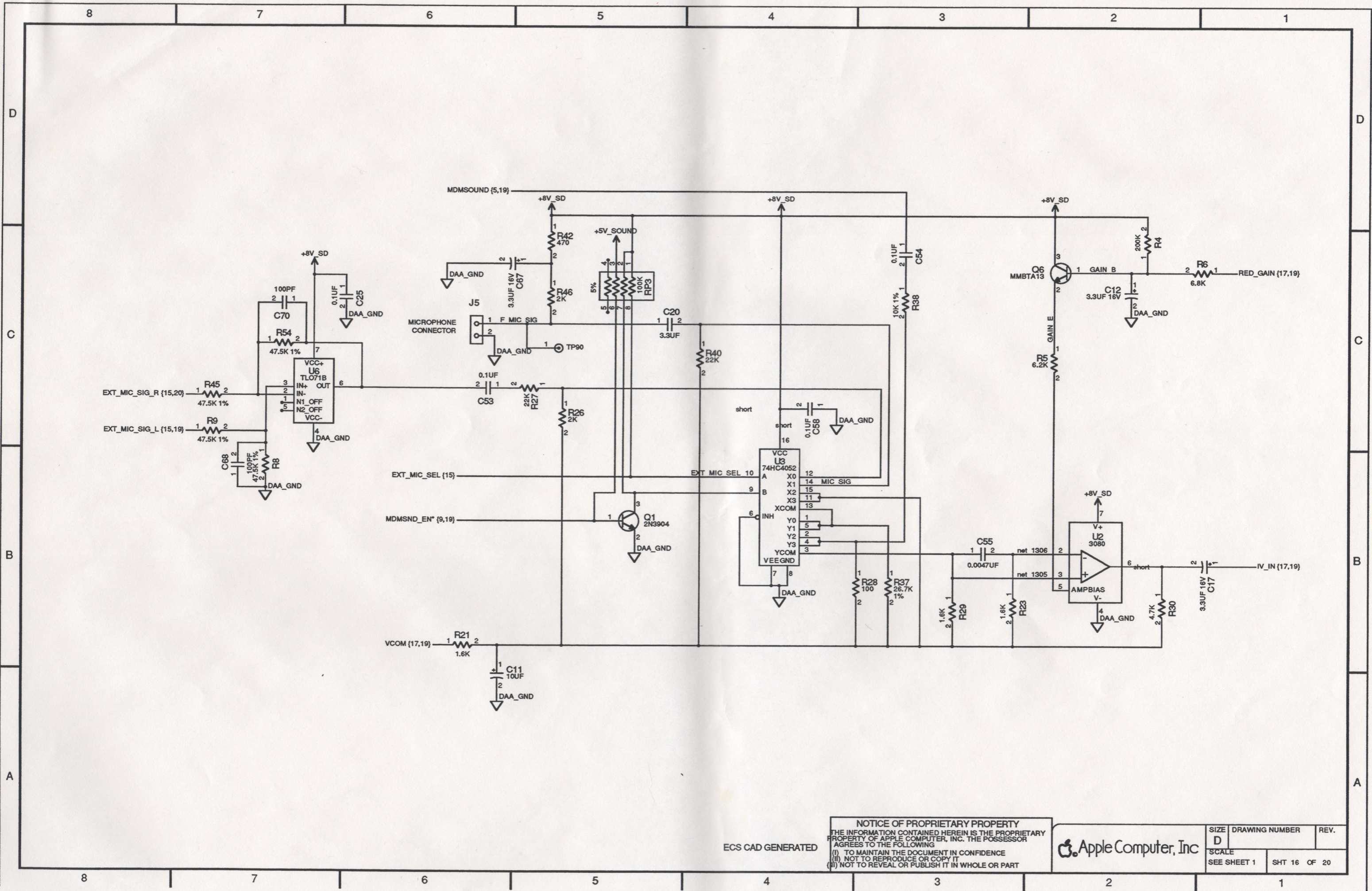
	SIZE	DRAWING NUMBER	REV.
	SCALE	SEE SHEET 1	SHT 14 OF 20



**NOTICE OF PROPRIETARY PROPERTY**  
 THE INFORMATION CONTAINED HEREIN IS THE PROPRIETARY PROPERTY OF APPLE COMPUTER, INC. THE POSSESSOR AGREES TO THE FOLLOWING:  
 (1) TO MAINTAIN THE DOCUMENT IN CONFIDENCE  
 (2) NOT TO REPRODUCE OR COPY IT  
 (3) NOT TO REVEAL OR PUBLISH IT IN WHOLE OR PART

Apple Computer, Inc	SIZE D	DRAWING NUMBER	REV.
	SCALE		
SEE SHEET 1	SHT 15	OF 20	

ECS CAD GENERATED



ECS CAD GENERATED

NOTICE OF PROPRIETARY PROPERTY  
 THE INFORMATION CONTAINED HEREIN IS THE PROPRIETARY  
 PROPERTY OF APPLE COMPUTER, INC. THE POSSESSOR  
 AGREES TO THE FOLLOWING  
 (I) TO MAINTAIN THE DOCUMENT IN CONFIDENCE  
 (II) NOT TO REPRODUCE OR COPY IT  
 (III) NOT TO REVEAL OR PUBLISH IT IN WHOLE OR PART

Apple Computer, Inc

SIZE D	DRAWING NUMBER	REV.
SCALE SEE SHEET 1	SHT 16 OF 20	

D

D

C

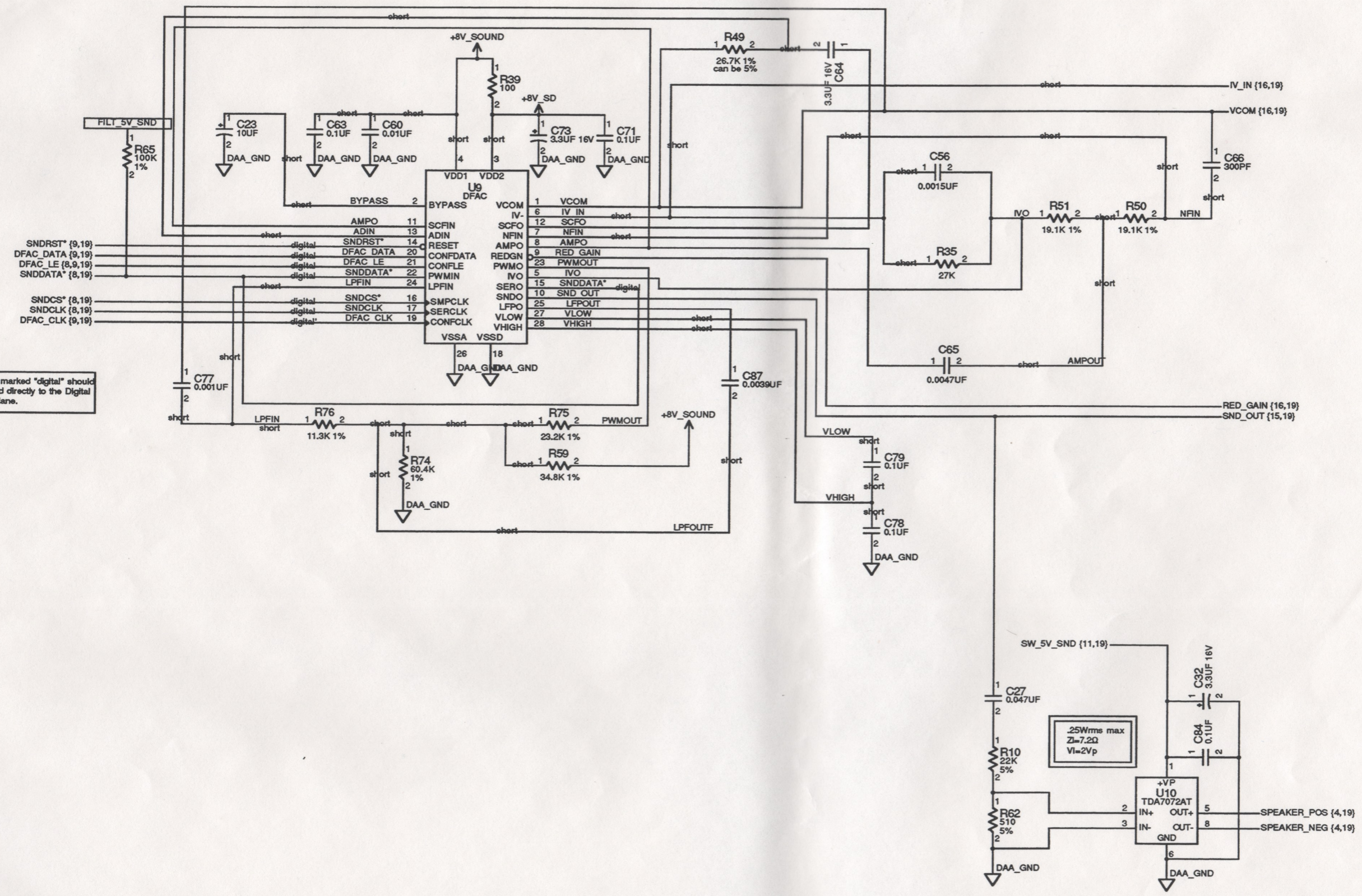
C

B

B

A

A



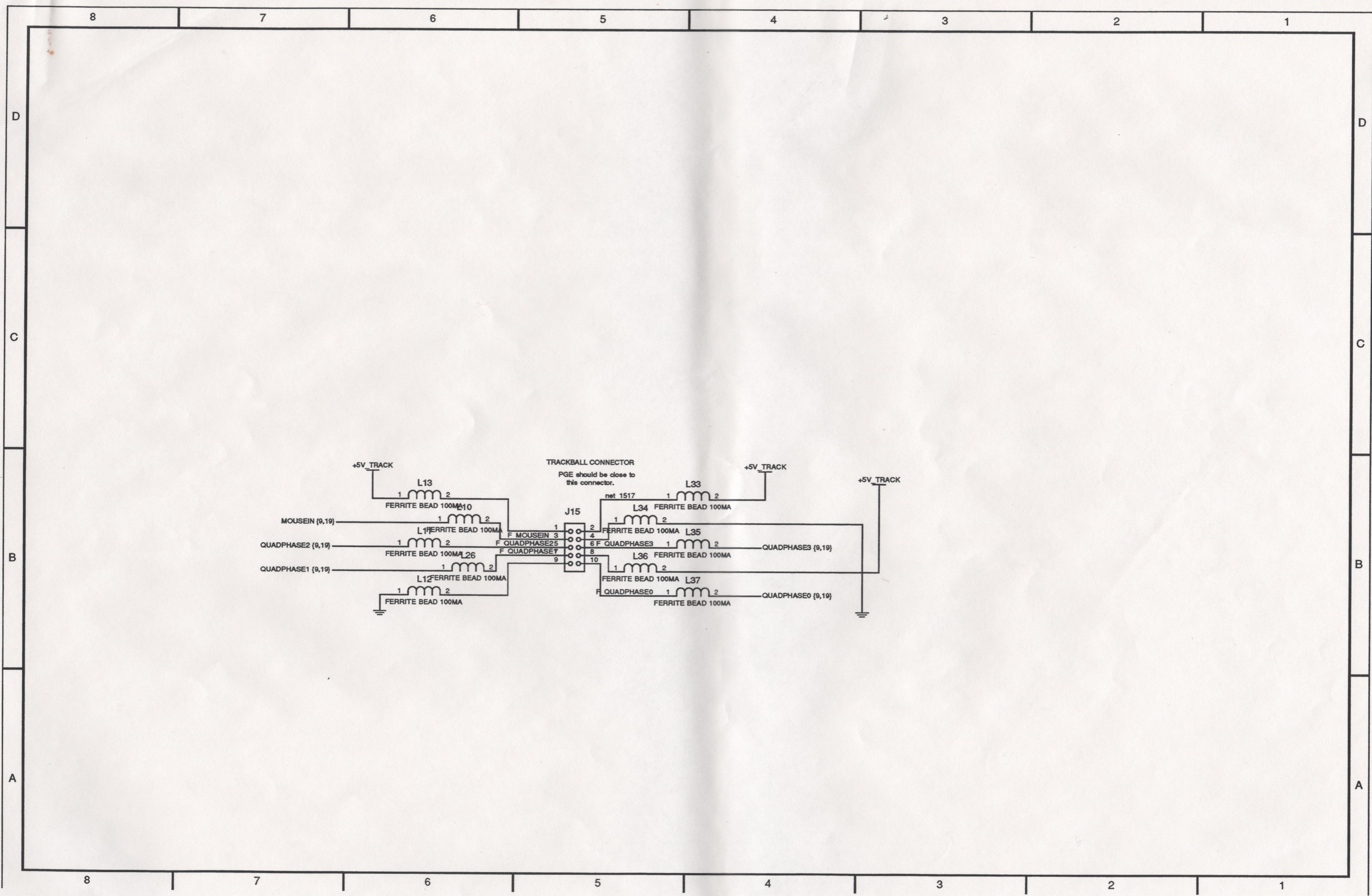
The lines marked "digital" should be routed directly to the Digital Ground Plane.

ECS CAD GENERATED

NOTICE OF PROPRIETARY PROPERTY  
 THE INFORMATION CONTAINED HEREIN IS THE PROPRIETARY PROPERTY OF APPLE COMPUTER, INC. THE POSSESSOR AGREES TO THE FOLLOWING  
 (I) TO MAINTAIN THE DOCUMENT IN CONFIDENCE  
 (II) NOT TO REPRODUCE OR COPY IT  
 (III) NOT TO REVEAL OR PUBLISH IT IN WHOLE OR PART



SIZE D	DRAWING NUMBER	REV.
SCALE SEE SHEET 1	SHT 17 OF 20	





8 7 6 5 4 3 2 1

+24V\_EXT {12} 1 TP14  
 BATTID\_F {13} 1 TP442  
 BYTE {2} 1 TP145  
 CS0M {8} 1 TP245  
 DAACNTL2 {5,9} 1 TP396  
 EXT\_MIC\_SIG\_R {15,16} 1 TP33  
 FILT\_25M {8} 1 TP233  
 FILT\_32M {8} 1 TP266  
 FILT\_CS0M {8} 1 TP264  
 FSCC1\_16M {3,8} 1 TP328  
 GSC\_C32M {4,8} 1 TP147  
 GSC\_CAS\* {4} 1 TP225  
 GSC\_CS\* {4,8} 1 TP146  
 GSC\_RAS\* {4} 1 TP170  
 GSC\_RESET\* {4,8} 1 TP302  
 GSC\_WE\* {4} 1 TP171  
 LCDID0 {4} 1 TP142  
 LCDID1 {4} 1 TP150  
 LCDID2 {4} 1 TP160  
 LCD\_IRQ\* {4,8} 1 TP143  
 {16} 1 TP46  
 {16} 1 TP75  
 {16} 1 TP61  
 {16} 1 TP30  
 {16} 1 TP37  
 {16} 1 TP88  
 {16} 1 TP74  
 {16} 1 TP55  
 {16} 1 TP64  
 {16} 1 TP56  
 {9} 1 TP274  
 {16} 1 TP95  
 {16} 1 TP99  
 {16} 1 TP97  
 {3} 1 TP290  
 {3} 1 TP289  
 {3} 1 TP279  
 {3} 1 TP291  
 {3} 1 TP278  
 {3} 1 TP280  
 {3} 1 TP310  
 {9} 1 TP298  
 {9} 1 TP299  
 {14} 1 TP62  
 {14} 1 TP47  
 {14} 1 TP52  
 {14} 1 TP475  
 {9} 1 TP300  
 {12} 1 TP214  
 {12} 1 TP215  
 {12} 1 TP127  
 {12} 1 TP92  
 {12} 1 TP58  
 {12} 1 TP84  
 {12} 1 TP163  
 {12} 1 TP105  
 {12} 1 TP82  
 {12} 1 TP11  
 {12} 1 TP10

{12} 1 TP16  
 {12} 1 TP53  
 {12} 1 TP51  
 {12} 1 TP128  
 {12} 1 TP67  
 {12} 1 TP59  
 {13} 1 TP199  
 {13} 1 TP200  
 {13} 1 TP155  
 {13} 1 TP201  
 {13} 1 TP154  
 {14} 1 TP91  
 {14} 1 TP71  
 {9} 1 TP237  
 {9} 1 TP259  
 {8} 1 TP286  
 {8} 1 TP177  
 {8} 1 TP257  
 RASDF\* {8} 1 TP419  
 SCC1\_16M {8} 1 TP334  
 SCLK {4} 1 TP176  
 SDATA[0] {4} 1 TP191  
 SDATA[1] {4} 1 TP175  
 SDATA[2] {4} 1 TP190  
 SDATA[3] {4} 1 TP174  
 SDATA[4] {4} 1 TP228  
 SDATA[5] {4} 1 TP207  
 SDATA[6] {4} 1 TP229  
 SDATA[7] {4} 1 TP208  
 SLEEP {9,11,14} 1 TP234  
 TBAT\_F {13} 1 TP441

F\_+5V\_MAIN1 {10} 1 TP479  
 F\_BATDOOR\* {10} 1 TP477  
 F\_CLAMSHELL\_SW {10} 1 TP486  
 F\_GND1 {10} 1 TP480  
 F\_GND2 {10} 1 TP476  
 F\_KEYSCANX[5] {9} 1 TP321  
 F\_MOUSEIN {18} 1 TP432  
 net\_1517 {18} 1 TP481  
 F\_QUADPHASE0 {18} 1 TP485  
 F\_QUADPHASE1 {18} 1 TP450  
 F\_QUADPHASE2 {18} 1 TP436  
 F\_QUADPHASE3 {18} 1 TP483  
 F\_SLEEPLD {10} 1 TP478  
 MAINBAT\_POS {12,13} 1 TP93  
 net\_Q15drain {14} 1 TP148  
 net\_q15source {14} 1 TP276  
 {10} 1 TP428  
 {12} 1 TP15  
 {10} 1 TP44  
 {10} 1 TP29  
 {10} 1 TP48

net\_1518 {10} 1 TP43  
 {18} 1 TP487  
 {18} 1 TP449  
 {18} 1 TP482  
 {18} 1 TP484  
 {8} 1 TP246  
 {8} 1 TP262  
 {8} 1 TP263  
 +5V\_PBUS 1 TP256  
 DDATA[28] {6,7,8} 1 TP273  
 DDATA[29] {6,7,8} 1 TP350  
 DDATA[30] {6,7,8} 1 TP270  
 DDATA[31] {6,7,8} 1 TP340  
 FCASD\*[0] {6,7,8} 1 TP377  
 FCASD\*[1] {6,7,8} 1 TP376  
 FCASD\*[2] {6,7,8} 1 TP370  
 FCASD\*[3] {6,7,8} 1 TP375  
 FRA[0] {6,7,8} 1 TP415  
 FRA[1] {6,7,8} 1 TP420  
 FRA[2] {6,7,8} 1 TP311  
 FRA[3] {6,7,8} 1 TP437  
 FRA[4] {6,7,8} 1 TP425  
 FRA[5] {6,7,8} 1 TP421  
 FRA[6] {6,7,8} 1 TP303  
 FRA[7] {6,7,8} 1 TP416  
 FRA[8] {6,7,8} 1 TP295  
 FRA[9] {6,7,8} 1 TP294  
 FRASDF\* {7,8} 1 TP282  
 LINET/R {5,15} 1 TP31  
 MDMPPWR\* {5,9,11} 1 TP231  
 MDMRST\* {5,9} 1 TP323  
 PDATA[0] {5,9} 1 TP254  
 PDATA[1] {5,9} 1 TP243  
 PDATA[2] {5,9} 1 TP255  
 PDATA[3] {5,9} 1 TP309  
 PDATA[4] {5,9} 1 TP355  
 PDATA[5] {5,9} 1 TP345  
 PDATA[6] {5,9} 1 TP344  
 PDATA[7] {5,9} 1 TP354  
 {14} 1 TP65  
 {14} 1 TP120  
 {14} 1 TP122  
 {14} 1 TP108  
 {14} 1 TP135  
 {14} 1 TP118  
 {14} 1 TP66  
 {14} 1 TP121  
 {14} 1 TP192  
 {14} 1 TP489  
 {11} 1 TP12  
 {11} 1 TP13  
 {14} 1 TP209

{9} 1 TP393

NOTICE OF PROPRIETARY PROPERTY  
 THE INFORMATION CONTAINED HEREIN IS THE PROPRIETARY PROPERTY OF APPLE COMPUTER, INC. THE POSSESSOR AGREES TO THE FOLLOWING  
 (i) TO MAINTAIN THE DOCUMENT IN CONFIDENCE  
 (ii) NOT TO REPRODUCE OR COPY IT  
 (iii) NOT TO REVEAL OR PUBLISH IT IN WHOLE OR PART

8 7 6 5 4 3 2 1